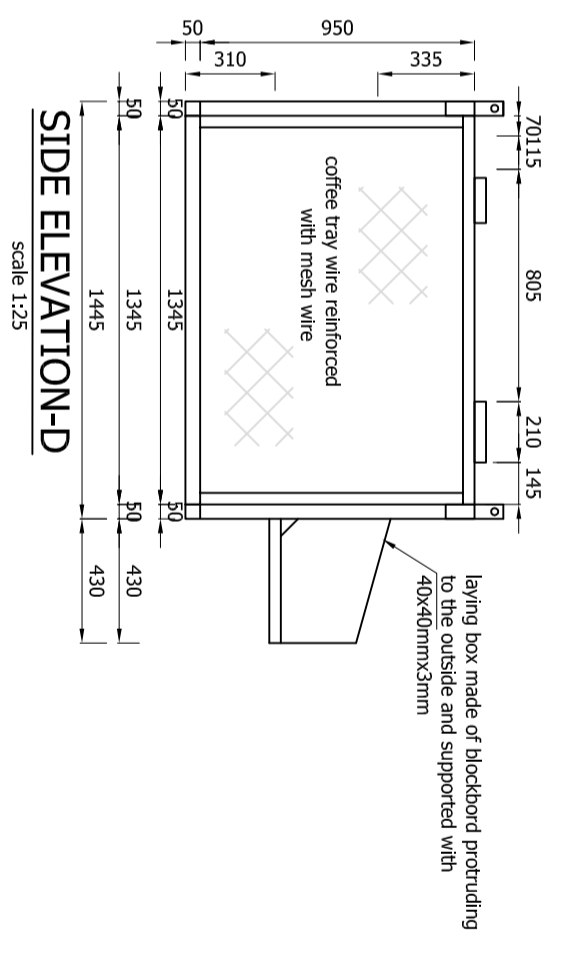
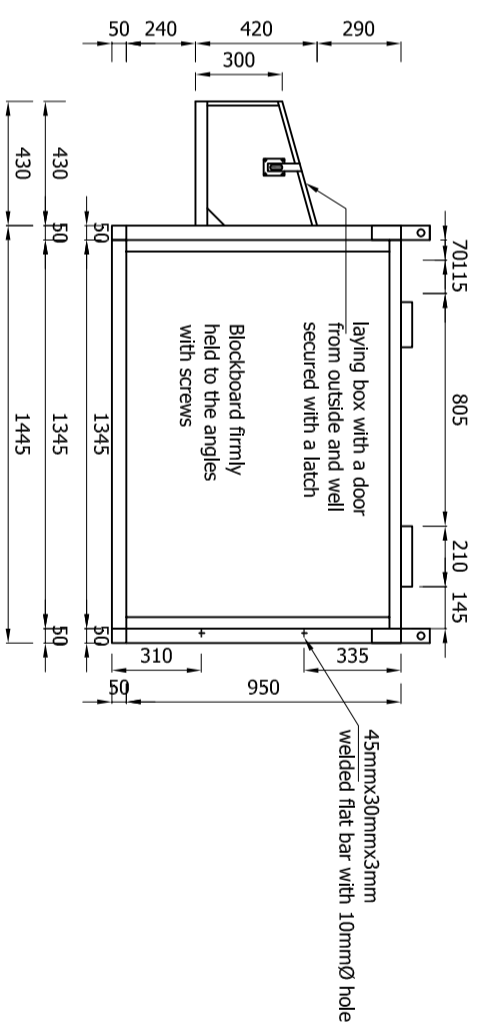
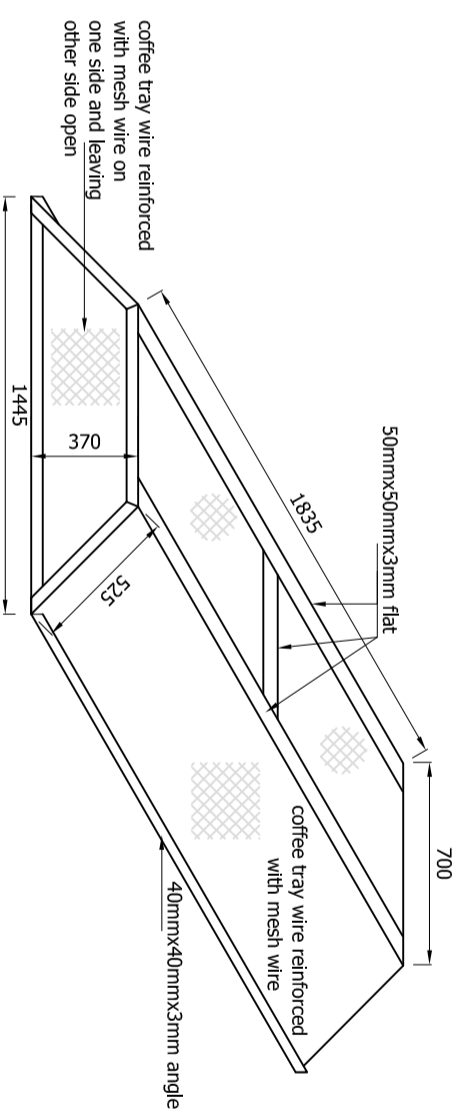
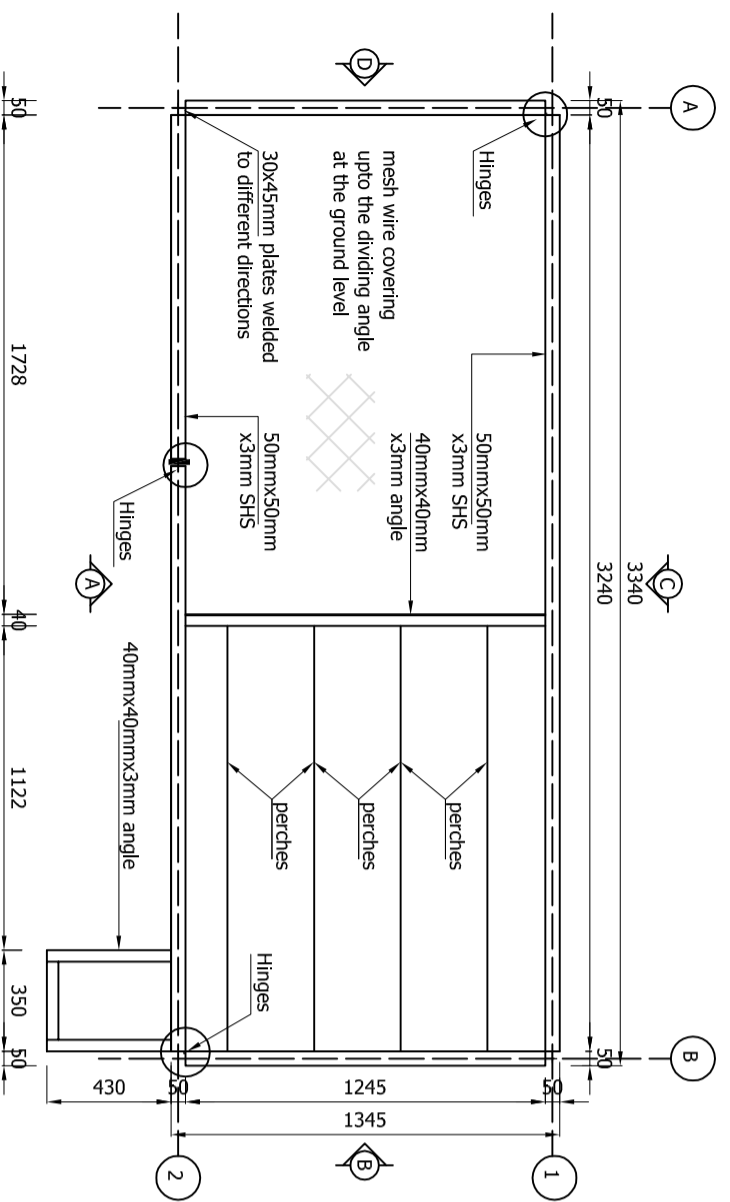
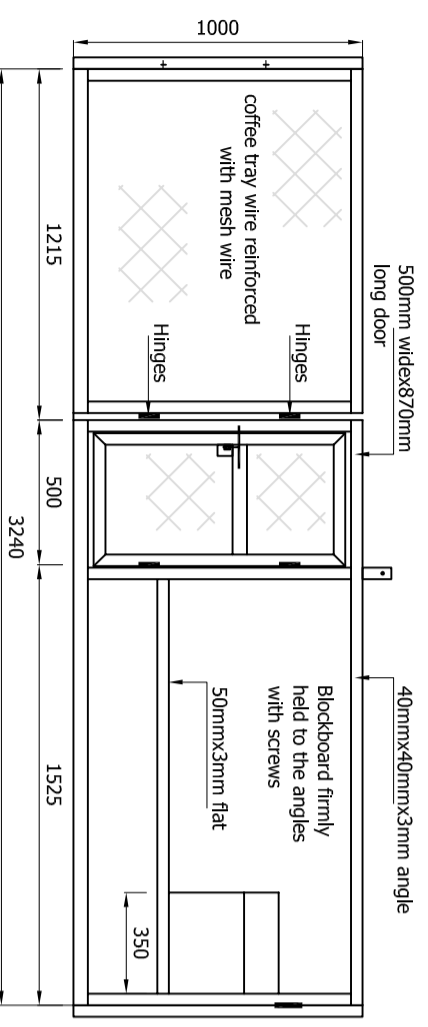
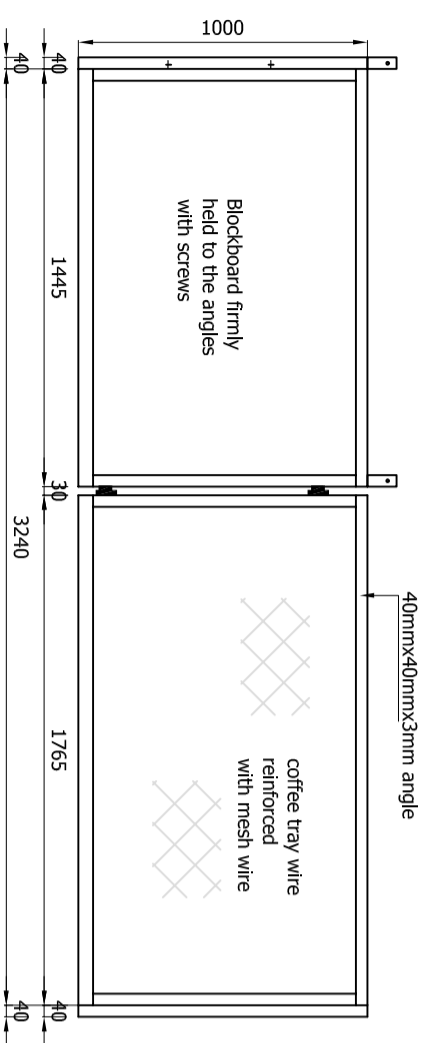


GENERAL NOTES

1. Do not scale.
2. All dimensions are in mm unless otherwise specified.



- THERE ARE TWO PARTS FORMING THE SIDES OF POULTRY HOUSE
- PART ONE IS FROM GRID B1-A2 THROUGH A1
- PART TWO IS FROM GRID B1-A2 THROUGH B2

Rev	Date	Revision	Drawn	Checked

SITE No.	
LANDLORD	KARI NAIVASHA
LANDLORD'S APPROVAL
PLOT No.	
PROJECT	

MOBILE POULTRY HOUSE WITH RUN			
Drawn By:	P. Kimani	Date:	14.06.2011
Scale:	1:25	CAD Check:	
Design Check		Approved:	
Drawing Number		Sheet No.	
		Rev.	0