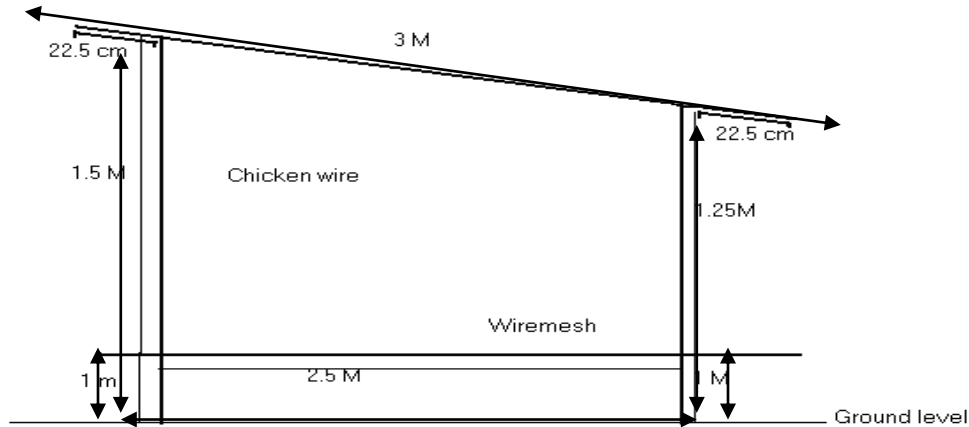


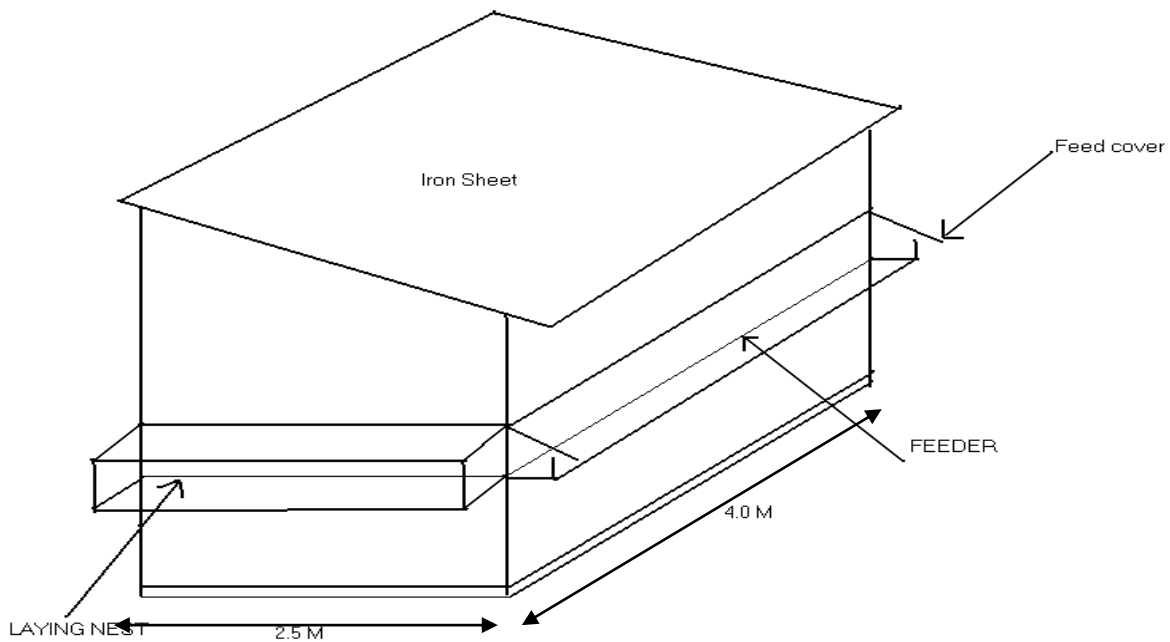


Non Ruminant Research Institute
P.O. Box 25-20117, Mobile: (+ 254)708620095/7, NAIVASHA
E-mail: kalropoultry@gmail.com
Facebook: KALRO Non-Ruminant Institute
Twitter: @KALROPOULTRY

SEMI RANGE HOUSING PLAN FOR INDIGENOUS CHICKEN



SIDE ELEVATION

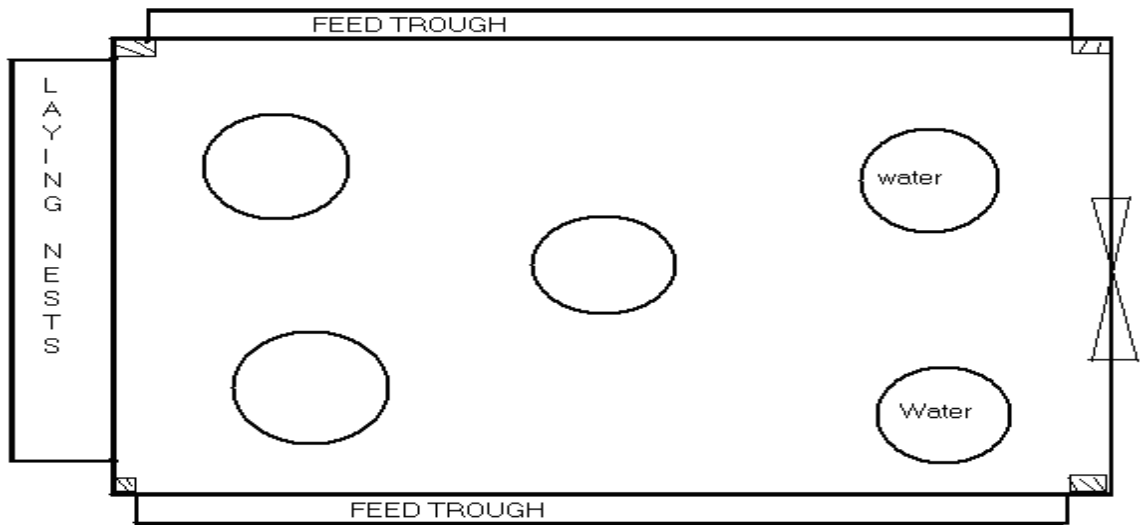


THREE DIMENSIONAL

Note:

1. Stocking density -100 Layers
2. Iron Sheets - 5m x 3m x 30G
3. Floor-made of wire mesh
4. Sides made of chicken wire
5. House floor raised

Dimension not drawn to scale



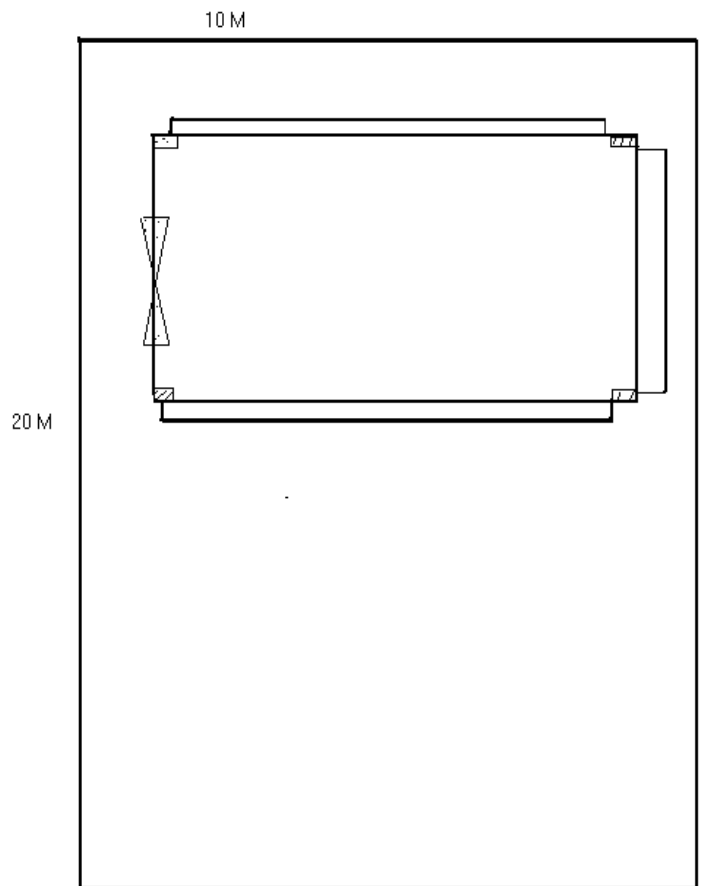
TOP VIEW

**1. FEEDER
(TYPE -LONG)**

| | |
|------------------|---------|
| Floor width | 13 cm |
| Depth | 15 cm |
| Height (Inside) | 13 cm |
| Height (Outside) | 16 ½ cm |
| Lip | 5 cm |
| Cover (Outside) | 15 cm |
| Timber | 6"x1" |

2. LAYING NEST

| | |
|-----------------|---------------|
| Length | 180 cm |
| Width | 29 cm |
| Height | 45 cm |
| Depth (Inside) | 13 cm |
| Depth (Outside) | 12 cm |
| Cover (Outside) | 40 cm (Width) |
| Timber | 8" x ½" |



GROUND PLAN AND RUN