

HOW TO MAKE A NAIVASHA LONG FEED TROUGH

Materials

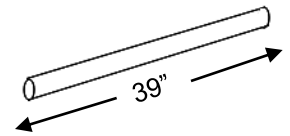
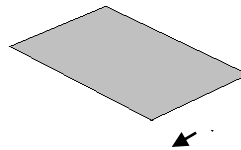
Materials	size	Quantity
Galvanized flat iron sheets	8" x 4"	1
Timber	6" x 1" 18ft long	1
	2" x 2" 12ft long	1
	31ft long	1
Smoothened round stick	31ft long	1
Nails	1"	20
	2"	6
	3"	2



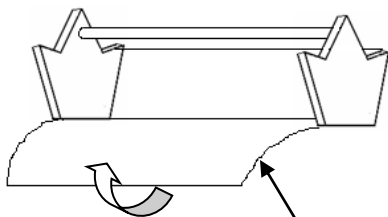
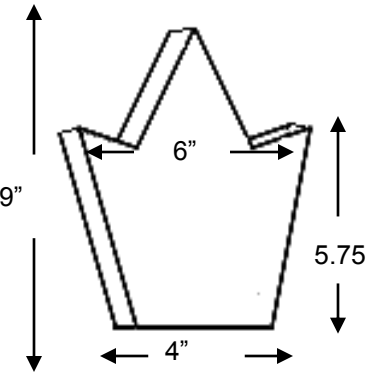
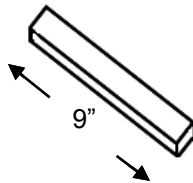
Step 1:

Galvanised iron sheet

Smooth rounded stick



wooden stand



Galvanised iron sheet

